

-(Mar. 24, 2011)-

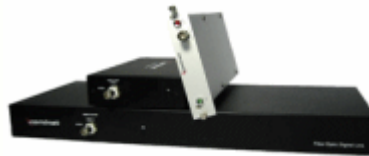
Fiber Optic Link

~ Fiber Optic Transmission Systems ~

--< SDI Series Digital Video Link (SMPTE) >--

Main Features

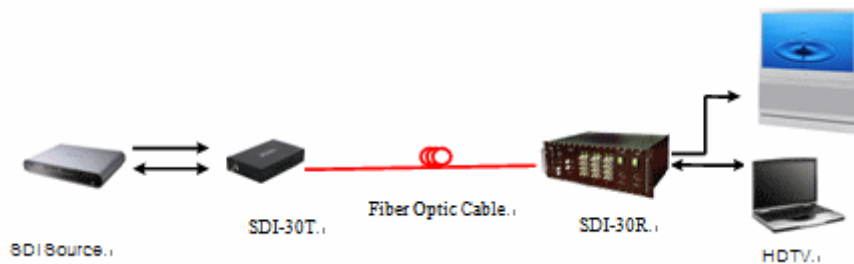
- Digital modulation
- Supported SMPTE 259M(SD),
(Option : 292M(HD) Level)
- Multi mode / Single mode
- Transmission distance up to 85km
(at 1550nm SM)
- Hot Swappable Rack Mount Modules
- 1 Fiber Transmission
- Ambient operating temperature
: -20~70°C



Descriptions

- Our SDI-30T Series SDI Link convert the SD/HD Level signals to optic signals and transmits up to 85km.
- It is free from electric noise compared to coaxial cable and has the powerful advantage that transmits multi-channels of video signals without additional equipment through a pair of or just one optic line.
- DM type is immune from noise and can transmits higher quality of signals to long distance remote site.
- According to user's need, Stand alone Type, Line-card Type for 3U height chassis & 1U Rack Type are all available.

Applications



Ordering Examples

Mode	Model No.	Description	Fiber Count	Distance
Multi Mode	SDI-30T-30	1ch SDI Transmitter-1310nm	1	2Km
	SDI-30R-30	1ch SDI Receiver-1310nm		
Single Mode	SDI-30T-32	1ch SDI Transmitter-1310nm	1	20Km
	SDI-30R-32	1ch SDI Receiver-1310nm		
	SDI-30T-36	1ch SDI Transmitter-1550nm	1	60Km
	SDI-30R-36	1ch SDI Receiver-1550nm		
	SDI-30T-38	1ch SDI Transmitter-1550nm	1	85Km
	SDI-30R-38	1ch SDI Receiver-1550nm		

Specifications

Specifications	Transmitter (SDI-30T-xx)		Receiver (SDI-30R-xx)	
	30	32, 34, 56, 58	30	32, 34, 56, 58
Optical Specifications				
Fiber Type	Multi-Mode	Single-Mode	Multi-Mode	Single-Mode
Number of Fiber	1 fiber	1 fiber	1 fiber	1 fiber
Wavelength(nm)	1310 , 1550 nm			
Max Distance(km)	2	20, 40, 60, 85	2	20, 40, 60, 85
Connector	ST(FC - Option)			
Video Input/Output Signal Specifications				
Number of Channels	1 channel			
SMPTE	292M / 259M			
Signal level	0.5~1.0V p-p			
I/O Impedence	75ohm			
Connector	BNC			
Power Specifications				
Input Voltage	7~24Vdc or 110~240Vac			
Power Consumption(W)	7.5			
Connector	Terminal Block			
Environment Specifications				
Operating Temperature	-20°C ~ 65°C			
Storage Temperature	-50°C ~ 85°C			
Humidity	0% ~ 95%(Non-Condensing)			
Physical Specifications				
Dimension(L×W×H)	Stand Alone type : 280.7×220×56 (mm) Rack mountable type : 19" width, 1U height Line-card type : 3U height			

CE Certificate

Fiber Optic Link

~ Fiber Optic Transmission Systems ~

--< [HDMI/DVI-31 Series Digital HDMI\(DVI\)/Audio/Data Link](#) >--
(Standard Type)

Main Features

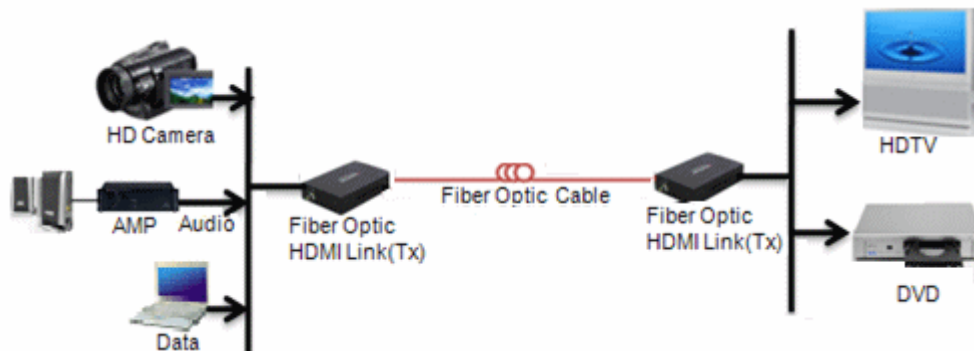
- Composite (HDMI/DVI)
- 1920 X 1080 Resolution
- Transmission distance up to 20km(SM)
- 7~24Vdc or 110~240Vac free-volt power input
- Digital modulation
- Ambient operating temperature : -20~65°C



Descriptions

- HDMI/DVI Link converts HDMI/DVI signals from cameras, audio signal from microphone and RS-232/422/485 data signals to optic signal and transmits up to 20km.
- It is free from electric noise compared to coaxial cable and has the powerful advantage that transmits multi-channels of video/data signals without additional equipment through a pair of or just one optic line.
- DM(Digital Modulation) type of optic link can transmits 1 channel of video, 1 channel of data signals, and DM type is immune from noise and can transmits higher quality of signals to long distance remote site.
- In addition, Network management module supports 10/100Mbps Ethernet, and make it easy to monitor from remote site on the status and information of Video/Data and other cards, Linking Status, PSU status etc. under GUI(Graphic User Interface) environment.
- According to user's need, Stand Alone Type, Line-card Type and 1U Rack Type are all available.

System Application



Ordering Examples

Mode	Model No.	Description	Fiber count	Power Budget	Max. Distance
Multi mode	HDMI/DVI-31WA-C0 HDMI/DVI-31WA-D0	1ch Video Transmitter, 1ch Audio Transmitter, 1ch Data Transceiver 1ch Video Receiver, 1ch Audio Receiver, 1ch Data Transceiver	1	12dB 8dB	200m
Single mode	HDMI/DVI-31WA-C8 HDMI/DVI-31WB-D8	1ch Video Transmitter, 1ch Audio Transmitter, 1ch Data Transceiver 1ch Video Receiver, 1ch Audio Receiver, 1ch Data Transceiver	1	36dB 23dB	20Km

Specification

Specifications	Transceiver-Transmitter (HDMI/DVI-31x-xx)		Transceiver-Receiver (HDMI/DVI-31x-xx)	
Optical Specifications				
Fiber Type	Multi-Mode	Single-Mode	Multi-Mode	Single-Mode
Number of Fiber	1 fiber	1 fiber	1 fiber	1 fiber
Max Distance	200m	20Km	200m	20Km
Connector	ST (FC, LC - Option)			

<i>Video Input/Output Signal Specifications</i>	
<i>Number of Channels</i>	<i>1 channel</i>
<i>Video Input/Output Signal</i>	<i>HDMI (DVI)</i>
<i>Resolution</i>	<i>1920 X 1080</i>
<i>Connector</i>	<i>Standard HDMI Adapter</i>
<i>Audio Input/Output Signal Specifications</i>	
<i>Number of Channels</i>	<i>1 channel</i>
<i>Audio Input/Output Signal</i>	<i>2.2Vp-p (600 Ohm)</i>
<i>Bandwidth</i>	<i>20Hz ~ 20KHz</i>
<i>Signal-Noise Ratio</i>	<i>67dB</i>
<i>Connector</i>	<i>Terminal Block (RCA - Option)</i>
<i>Data Input/Output Signal Specifications</i>	
<i>Number of Channels</i>	<i>1 channel</i>
<i>Data Format</i>	<i>RS-232, RS-422, RS-485, Manchester, Current Loop</i>
<i>Operating Mode</i>	<i>Half/Full Duplex</i>
<i>Data Rate</i>	<i>200Kbps</i>
<i>Bit Error Rate</i>	<i>< 1/10⁹</i>
<i>Connector</i>	<i>D-Sub 9pin Male</i>
<i>Power Specifications</i>	
<i>Input Voltage</i>	<i>7~24Vdc or 110 ~240Vac</i>
<i>Power Consumption</i>	<i>7.5 W</i>
<i>Connector</i>	<i>Terminal Block</i>
<i>Environment Specifications</i>	
<i>Operating Temperature</i>	<i>-20°C ~ 65°C</i>
<i>Storage Temperature</i>	<i>-50°C ~ 85°C</i>
<i>Humidity</i>	<i>0% ~ 95%(Non-Condensing)</i>
<i>Physical Specifications</i>	
<i>Dimension (L×W×H)</i>	<i>Stand Alone type : 224×118.2×39.5(mm) Rack mountable type : 19" width, 1U height Line-card type : 3U height</i>